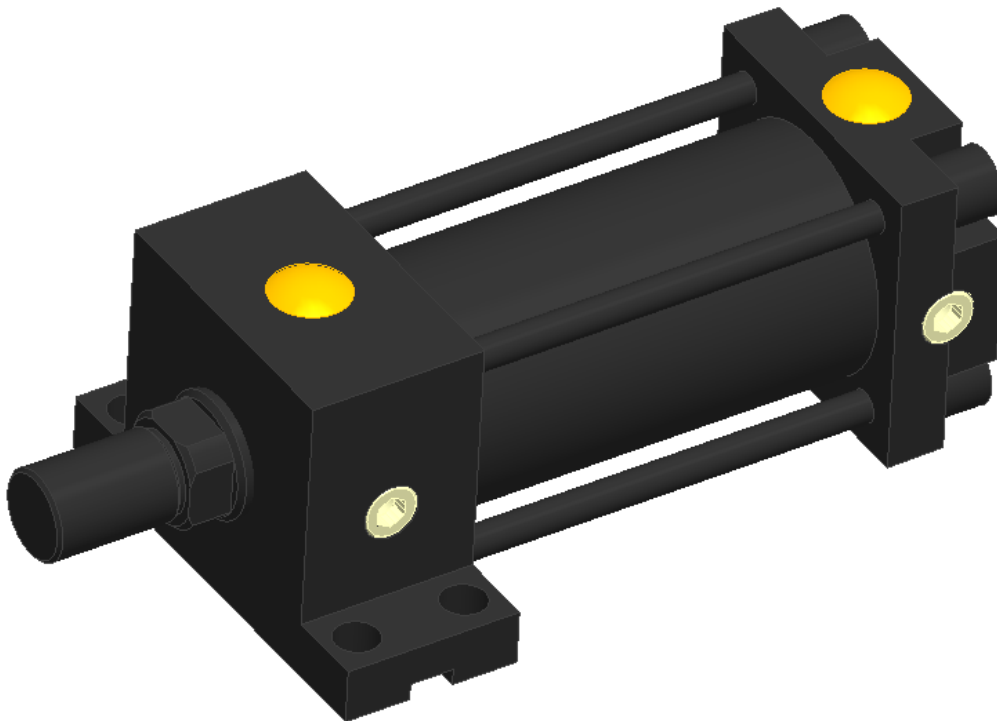


Double acting
HYDRAULIC CYLINDER



HVB Series
(CNOMO standard)

Service pressure : 200 bar
Inner diameter 25 up to 125 mm

QUIRI HYDROMECHANIQUE

WHO ARE WE ?



QUIRI Hydromécanique is specialist in the design and manufacturing of components and mechanical installations that use high-pressure fluids for process plant applications.

We apply our know-how and experience to small-and medium-scale manufacture of products with high technical added-value, and to installations that are specifically adapted to our client's needs. To provide our clients with complete solutions, **QUIRI Hydromécanique** retains control over all the specialist skills involved in hydraulic engineering (electronic and mechanical engineering, computer control) through its engineering design department, in-house precision machining, assembly and testing.

Its extensive research and development activities, combined with over 50 years experience in hydraulic systems mean that it can incorporate the most effective technology into its products, and apply continuous innovation to provide new solutions.

For every project, each client is assigned a single representative (a Project Engineer or Product Manager) who is responsible for ensuring that orders are fulfilled, right up to the time of delivery. This unique structure makes us more reactive whilst still allows us to retain control over all those aspects that contribute to the quality of our products (managed through a rigorous quality system certified to ISO 9001, 2008 version).

QUIRI Hydromécanique is based at in France near Strasbourg and exports a great proportion of its production within Europe (Germany, Spain and elsewhere) to Asia (including Japan, China and Korea) and America.

QUIRI Hydromécanique supplies to major industrial groups, who rely on us to provide innovative and competitive solutions in the following sectors:

- Automotive and vehicles
- Aerospace and defence
- Power and transport



HYDRAULIC CYLINDERS

HVB Series

Ed : 04/2010

Page 3 / 12

TABLE OF CONTENT

<u>TECHNICAL DATA</u>	4
<u>REFERENCE ORDER</u>	5
<u>ROD END</u>	6
<u>SINGLE CYLINDER, FIXED ON ROD SIDE</u>	7
<u>FIXED WITH FRONT PLATE</u>	8
<u>FIXED WITH FRONT SUPPORT</u>	9
<u>INFORMATION ROD</u>	10
<u>FIXED WITH REAR ROTATING END</u>	11

TECHNICAL DATA

Strokes

Inner diameter		25	32	40	50	63	80	100	125
Stroke Tolerance +2 0	5	•	•	•	•	•	•	•	•
	10	•	•	•	•	•	•	•	•
	16	•	•	•	•	•	•	•	•
	25	•	•	•	•	•	•	•	•
	40	•	•	•	•	•	•	•	•
	63	•	•		•	•	•	•	•
	100		•	•	•	•	•	•	•
	160			•	•	•	•	•	•

Service pressure

Max inlet pressure : 200 bar
Proofing pressure : 315 bar

Allowable speed

Max speed : 5 m/min

Temperatures

Minimal : -20°C
Maximal : +80°C with NBR sealing
+150°C with Viton sealing

Fluids

Mineral hydraulic oils HM-HL 10 with 40 Cst at 50°C.
Fire resistant fluid class C or D

Filtration

≤ 200 microns

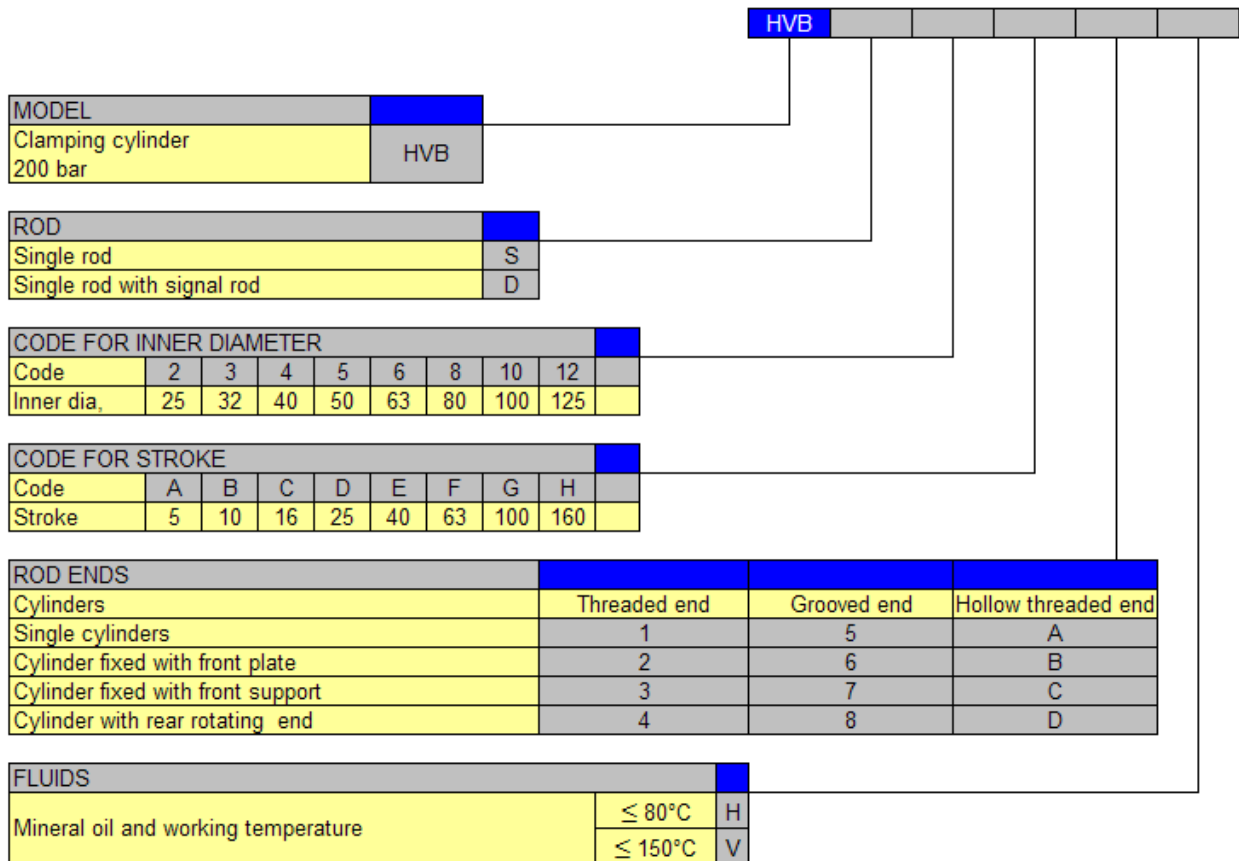
Connecting ports

British standard piping BSPP with spot face for seal.

Operating instructions

In order to get the best working, please drain the air outlet of the two chambers of the cylinder. Unscrew gently les connectors and move the cylinder without pressure. When spreading oil is free of air, the cylinder is well drained. Do not forget to screw the nuts correctly.

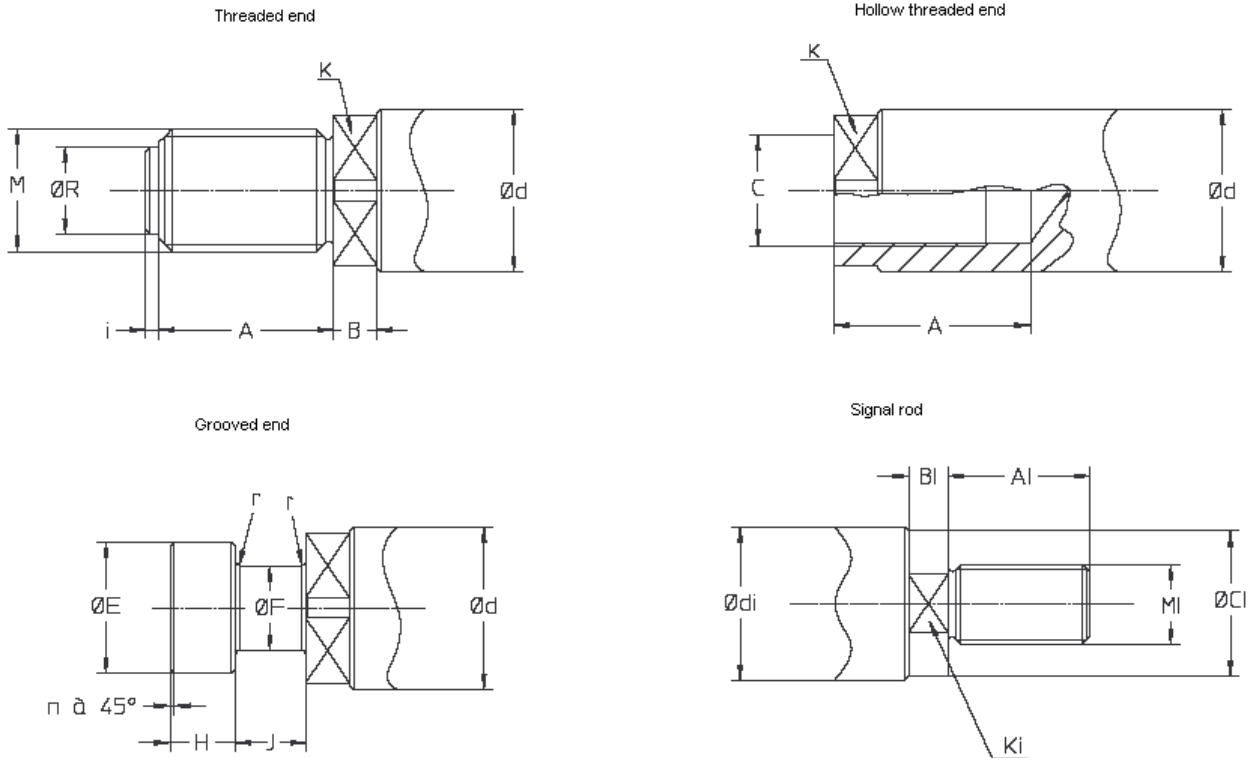
REFERENCE ORDER



*Example for reference order : **HVB S 06 F 2 V***

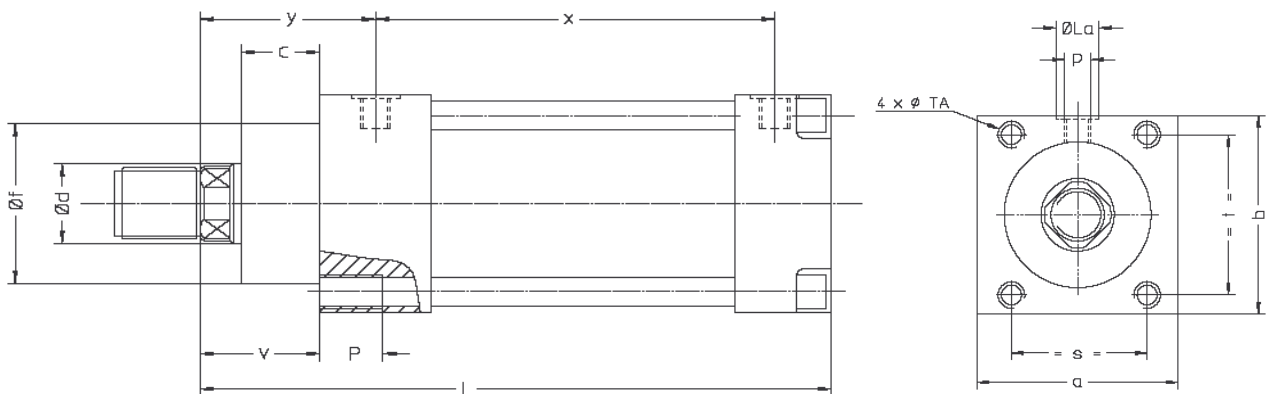
Hydraulic clamping cylinder 200 bar, single rod, bore 63 mm, stroke 63 mm, fixed with front plate, male treaded rod end, mineral oil and working temperature less than 150°C.

ROD END



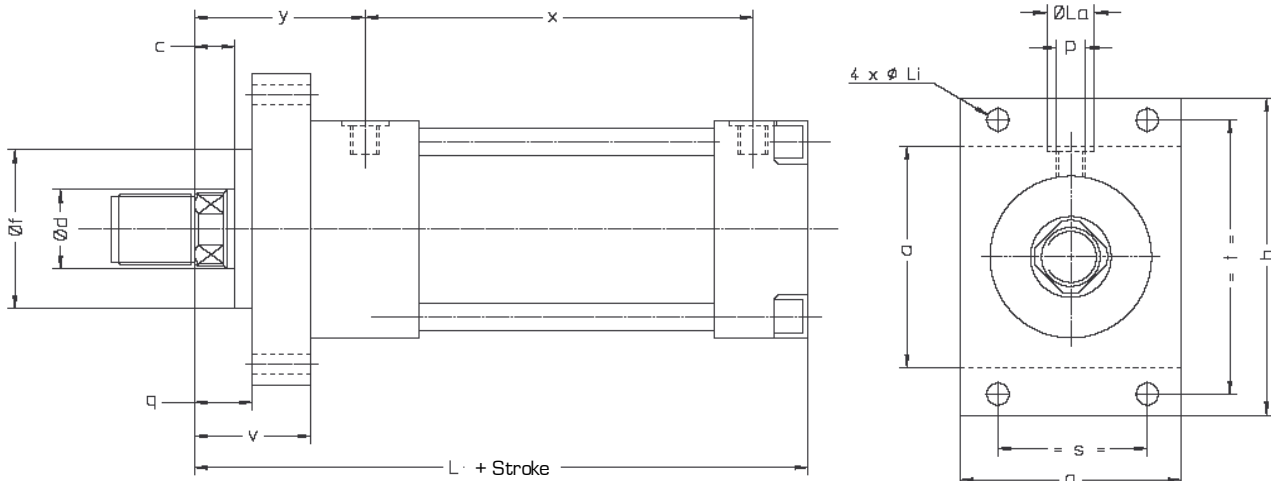
Inner diameter	25	32	40	50	63	80	100	125
$\varnothing d$ (Ø Rod)	16	18	22	28	36	45	56	70
$\varnothing d / AI$	10	10	12	12	12	12	16	16
A	20	20	25	32	40	50	63	80
$\varnothing R$	9,5	9,5	13	17	23,5	29,5	38,5	48,5
$\varnothing CI$	9,5	9,5	11,5	11,5	11,5	11,5	15	15
i	2,5	2,5	3	3	3	4	5	5
M	M12x1,25	M12x1,25	M16x1,5	M20x1,5	M27x2	M33x2	M42x2	M56x2
C	M8x1,25	M8x1,25	M10x1,5	M16x1,5	M20x1,5	M27x2	M33x2	M42x2
MI	M8x1,25	M8x1,25	M10x1,25	M10x1,25	M10x1,5	M10x1,5	M12x1,25	M12x1,25
n	0,2	0,2	0,2	0,2	0,3	0,3	0,5	0,5
$\varnothing E$	14	15	18	22,4	28	35,5	45	56
$\varnothing F$	8	9	11,2	14	18	22,4	28	35,5
H / J	6	6	8	10	12,5	16	20	25
r	0,3	0,3	0,5	0,5	0,8	0,8	1,2	1,2
B	8	8	8	8	12,5	12,5	14	14
BI	5	5	6	6	6	6	8	8
K	12	13	17	22	30	36	46	60
Ki	8	8	10	10	10	10	13	13

SINGLE CYLINDER, FIXED WITH THREADED HOLES ON ROD SIDE



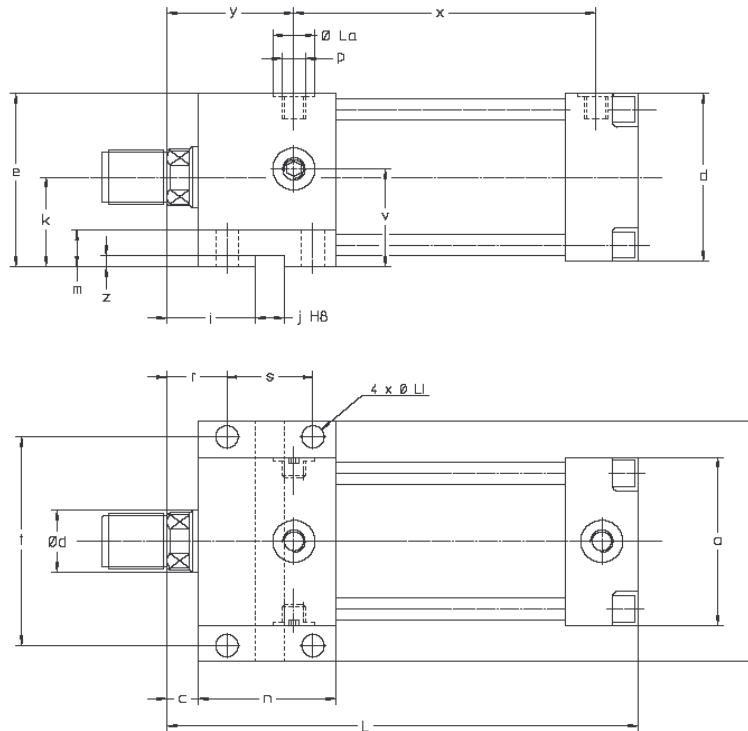
Inner diameter	25	32	40	50	63	80	100	125
Ø d (Ø Rod)	16	18	22	28	36	45	56	70
Ø f	36	40	45	56	63	80	100	125
P	12	12	12	12	18	18	24	24
b	45	56	63	75	85	106	125	160
p	G1/8"	G1/8"	G1/4"	G1/4"	G3/8"	G3/8"	G1/2"	G1/2"
Ø La	19	19	25	25	28	28	34	34
x	34	45	45	53	56	63	70	80
TA	M6	M8	M10	M10	M12	M16	M18	M20
s	34	42	45	56	65	80	97,5	125
t	34	42	45	56	65	80	97,5	125
c	16	20	25	28	28	32	38	40
v	28	32	40	40	45	50	58	63
y	46	48	55	57	71	74	81	93
L	92	102	115	125	145	152	177	198

FIXED WITH FRONT PLATE



Inner diameter	25	32	40	50	63	80	100	125
Ø d (Ø Rod)	16	18	22	28	36	45	56	70
Ø f	36	40	45	56	63	80	100	125
a	45	56	63	75	85	106	125	160
b	70	86	100	115	124	160	185	230
p	G1/8"	G1/8"	G1/4"	G1/4"	G3/8"	G3/8"	G1/2"	G1/2"
Ø Li	6,6	9	11	11	14	18	20	22
Ø La	19	19	25	25	28	28	34	34
x	34	45	45	53	56	63	70	80
y	46	48	55	57	71	74	81	93
s	34	36	45	50	65	80	97,5	125
t	56	71	80	95	104	132	155	195
q	16	16	20	16	21	22	24	27
v	28	32	40	40	45	50	58	63
c	12	12	15	12	17	18	20	23
L	92	102	115	125	145	152	177	198

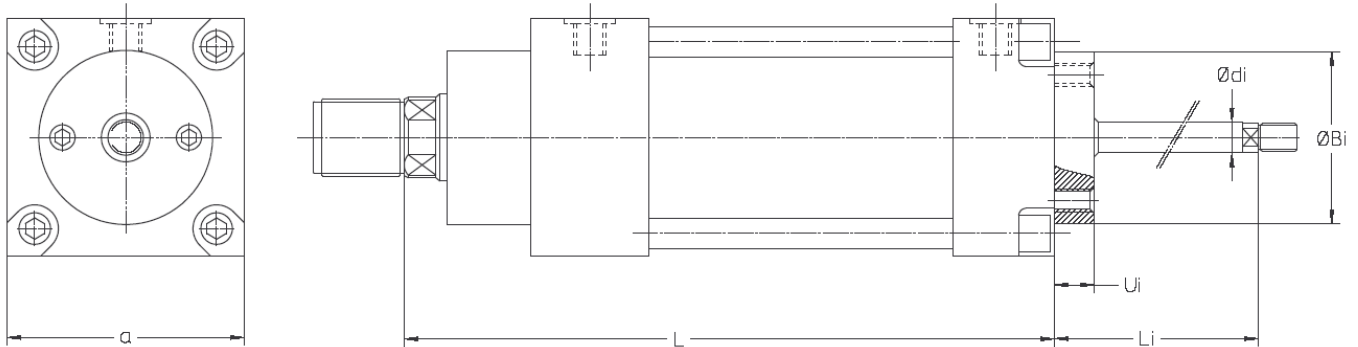
FIXED WITH FRONT SUPPORT



Inner diameter	25	32	40	50	63	80	100	125
Ø d (Ø Tige)	16	18	22	28	36	45	56	70
a	45	56	63	75	85	106	125	160
p	G1/8"	G1/8"	G1/4"	G1/4"	G3/8"	G3/8"	G1/2"	G1/2"
e	47,5	59	67,5	80	87,5	109	129,5	162
Ø La	19	19	25	25	28	28	34	34
k	25	31	36	42,5	45	56	67	82
v	30	32	45	44,5	57	60	70	82
x	34	45	45	53	56	63	70	80
Ø Li	6,6	9	11	11	14	18	20	22
j H8	12	12	12	12	16	16	16	20
z	4	4	6	6	6	6	6	6
s	32	32	36	40	45	50	56	63
n	45	50	55	60	70	80	90	100
m	12	12	20	20	25	25	32	36
t	56	71	80	95	104	132	155	195
b	70	86	100	115	124	160	185	230
r	18,5	21	24,5	22	29,5	33	37	41,5
y	46	48	55	57	71	74	81	93
L	92	102	115	125	145	152	177	198
i	28,5	31	36,5	36	44	50	57	63
c	12	12	15	12	17	18	20	23

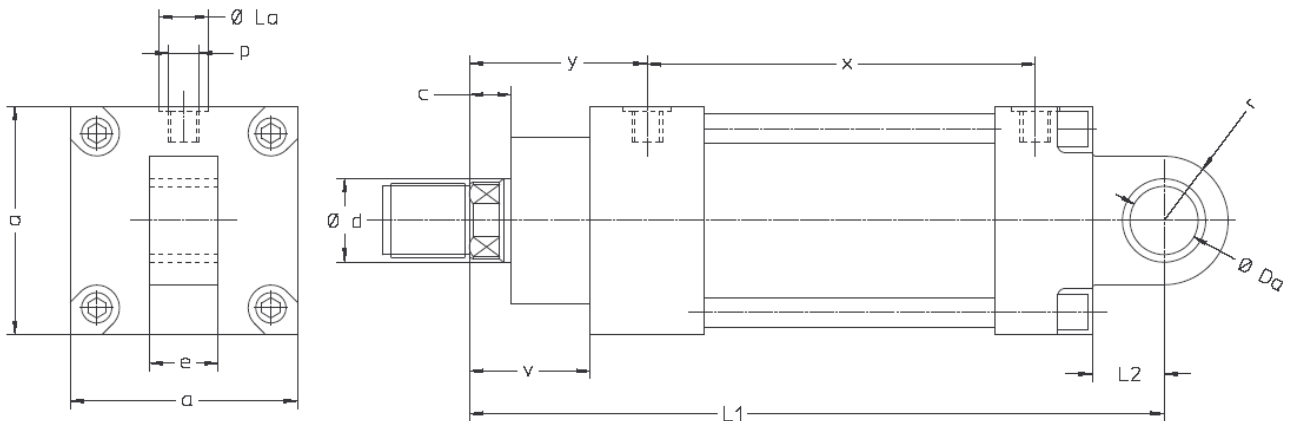
INFORMATION ROD *

* Only suitable for cylinders without rear connection.



Inner diameter	25	32	40	50	63	80	100	125
Ø d (Ø Rod)	16	18	22	28	36	45	56	70
a	45	56	63	75	85	106	125	160
Ø Bi	36	36	42	42	63	63	80	80
Ø di	10	10	12	12	12	12	16	16
Ui	8	8	12	12	12	12	15	15
Li	20	20	32	32	32	32	35	35
L	92	102	115	125	145	152	177	198

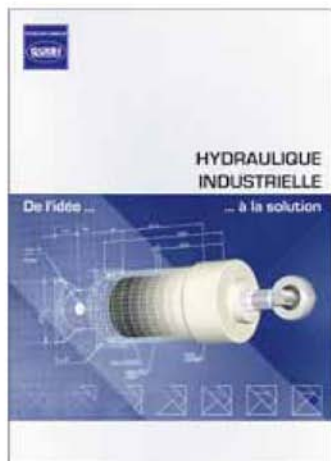
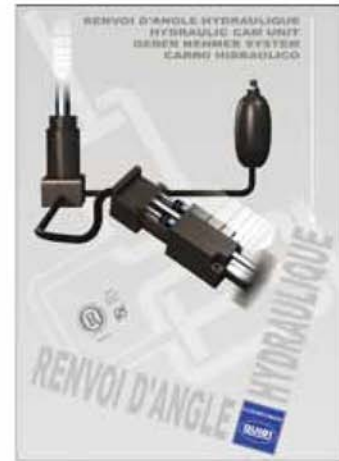
FIXED WITH REAR ROTATING END



The rotating rear end is fitted with bushing.

Inner diameter	25	32	40	50	63	80	100	125
Ø d (Ø Rod)	16	18	22	28	36	45	56	70
a	45	56	63	75	85	106	125	160
p	G1/8"	G1/8"	G1/4"	G1/4"	G3/8"	G3/8"	G1/2"	G1/2"
Ø La	19	19	25	25	28	28	34	34
e	16	16	20	25	32	40	50	63
Ø Da	12	12	16	20	25	32	40	50
L2	20	20	25	25	32	40	56	63
r	14	14	16	20	25	32	40	50
x	34	45	45	53	56	63	70	80
y	46	48	55	57	71	74	81	93
v	28	32	40	40	45	50	58	63
c	12	12	15	12	17	18	20	23
L1	112	122	140	150	177	192	233	261

OTHER PRODUCTS



Our catalogs are available on request or for download on : www.quiri.com